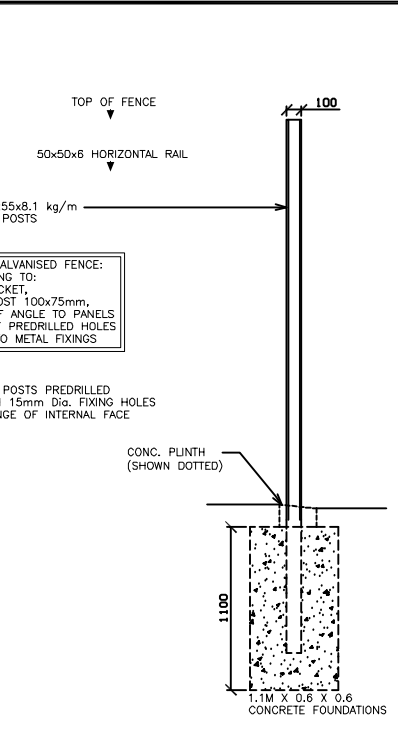
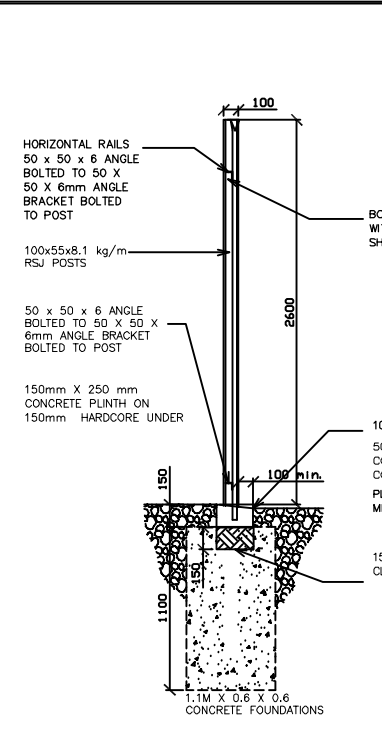


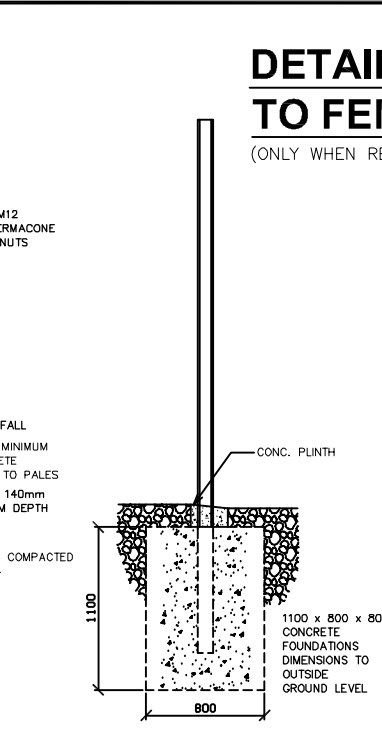
ELEVATION OF FENCE
SCALE 1:50



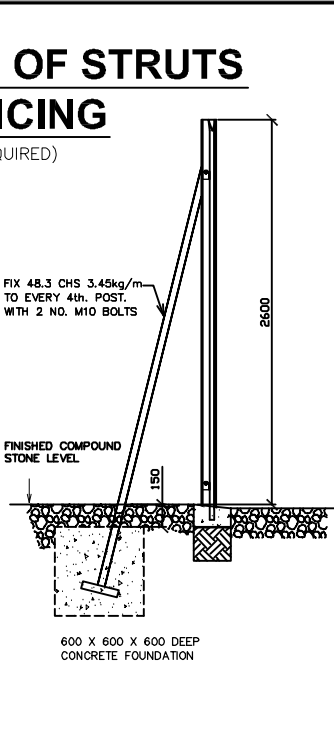
SIDE ELEVATION OF POST
SCALE 1:50



PAILES & PLINTH DETAILS
SCALE 1:50

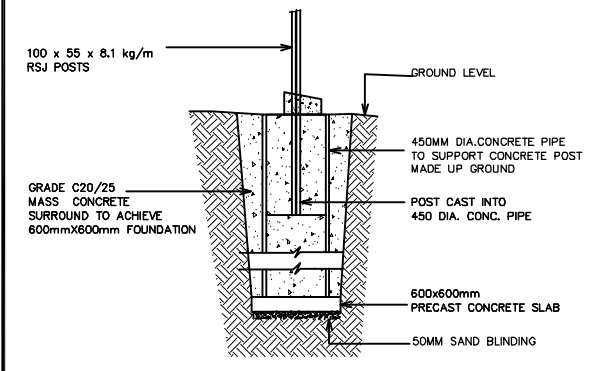


DETAILS OF FOUNDATION TO CORNER POST
SCALE 1:50

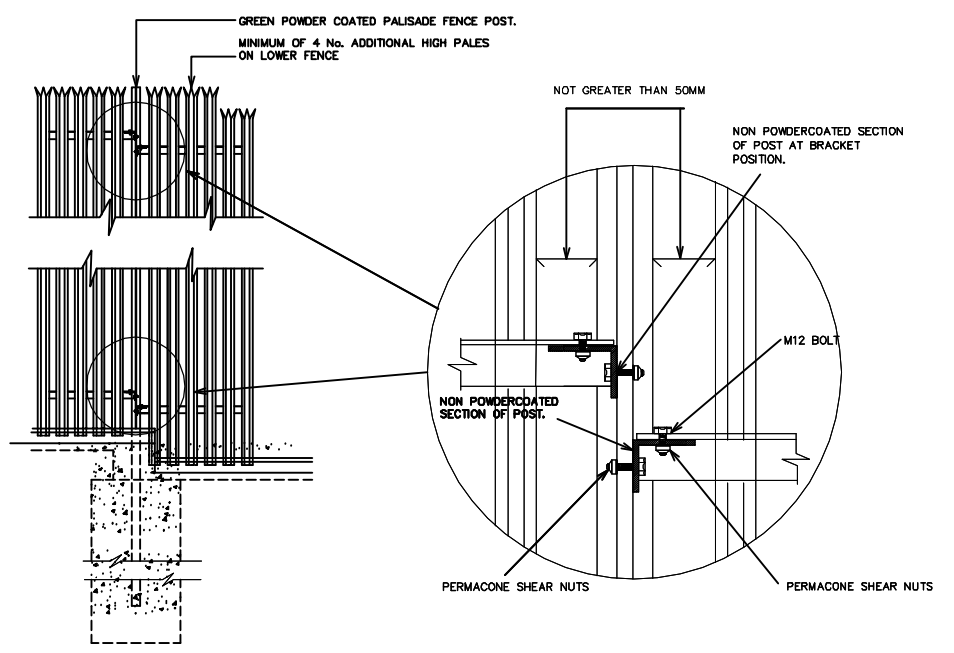


DETAIL OF STRUTS TO FENCING
(ONLY WHEN REQUIRED)

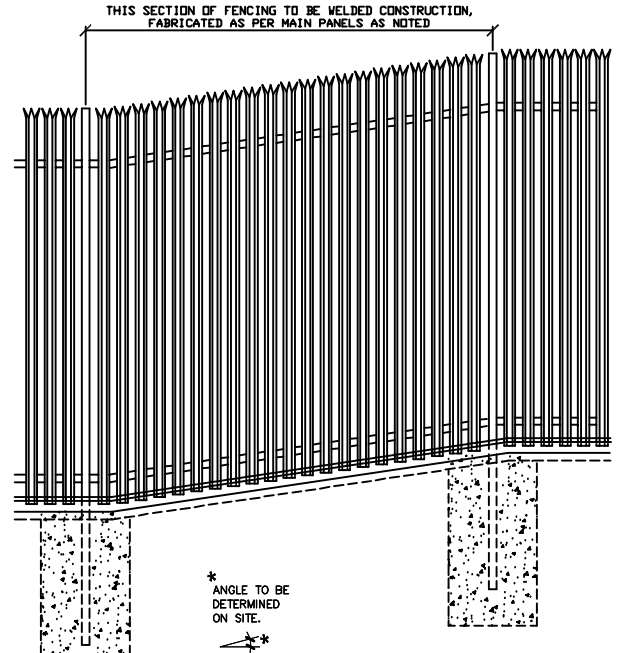
- NOTES
1. THIS DRAWING TO BE READ IN CONJUNCTION WITH ALL RELEVANT ESBI DRAWINGS, BILLS OF QUANTITIES AND SPECIFICATION CS 17-S01-5
 2. THIS DRAWING IS NOT TO BE SCALED.
 3. THE FENCE IS TO BE CONSTRUCTED IN ACCORDANCE WITH B.S. 1722 PART 12
 4. GALVANISING TO BE IN ACCORDANCE WITH IS EN ISO 1461.
 5. POWDER COATING TO BE IN ACCORDANCE WITH IS EN 13438.
 6. PAILES TO BE TRIPLE POINTED & SPLAYED, AND WELDED TO RAILS IN ACCORDANCE WITH CL. 5.1 OF BS 1722
 7. GAP BETWEEN PAILES AND BETWEEN PAILES AND RSJ TO BE NOT GREATER THAN 50MM.
 8. MINIMUM HEIGHT OF FENCE ON EITHER SIDE OF COMPOUND IS TO BE 2600MM
 9. IN AREAS OF MADE-UP GROUND ADDITIONAL CONCRETE TO BE USED IN BASE. QUANTITY TO BE APPROVED BY ESBI IN ADVANCE.
 10. CONCRETE TO BE GRADE C20/25 TO BASES, C30/37



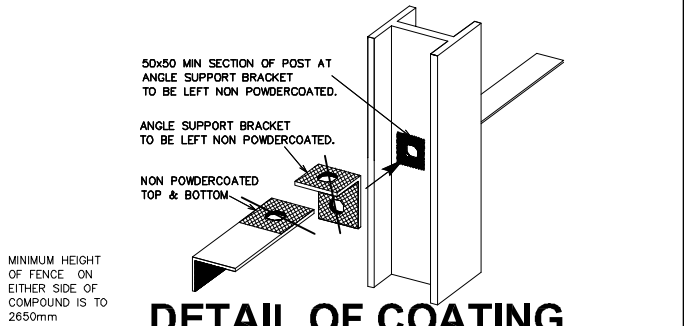
DETAIL WHERE THERE IS MADE-UP GROUND
SCALE 1:50



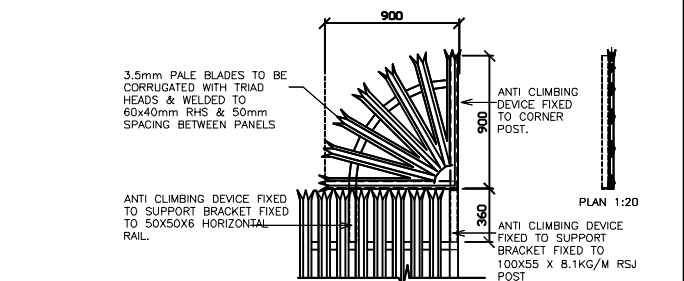
STEP(S) IN PALISADE FENCE (WHERE APPLICABLE)
SCALE 1:50
DEPTH OF STEP TO BE AGREED ON SITE, BUT NOT GREATER THAN 200MM
NOTE: - ADDITIONAL HIGH PAILES ON LOWER FENCE.



ELEVATION TO TYPICAL SLOPED SECTION OF FENCING
SCALE 1:50



DETAIL OF COATING AT FIXING POINTS
SCALE 1:50



DETAILS OF ANTI-CLIMBING AID (WHERE APPLICABLE)

Rev	Date	Revision description	Drn.	Prod	Ver.	Ver.	App.
0	22.11.12	ISSUED FOR PLANNING	LK	LK	SOD	TM	DW

Purpose of issue - Preliminary unless indicated

Tender Client approval Construction As-built Revised

ESB International
ESBI Energy Innovation

ESBI Engineering Solutions, Stephen Court, 18-21 St. Stephen's Green, Dublin 2, Ireland. Tel: +353 (0)1 703 8000 Fax: +353 (0)1 703 7186
Email: marketing@esbi.ie Web: www.esbi.ie

ESBI Engineering Solutions is a trading name of ESBI Engineering & Facility Management Limited.
Registered Office: as above Registered in Ireland No. 155249

Client: **EIRGRID**

Project: **LAOIS KILKENNY REINFORCEMENT PROJECT**

Contract:

Drawing title: **BALLYRAGGET 110 KV SUBSTATION**
DETAILS OF PALISADE FENCING

Production unit: **Civil building and Environmental**

COPYRIGHT © ESBI ENGINEERING & FACILITY MANAGEMENT LIMITED.
All rights reserved. No part of this work may be modified or reproduced or copied in any form or by any means - graphic, electronic or mechanical, including photocopying, recording, taping or information-and-retrieval system, or used for any purpose other than its designated purpose, without the written permission of ESBI Engineering & Facility Management Ltd.

DRAWN	PRODUCED	VERIFIED CIVIL	VER. ELECTRICAL	APPROVED	APPD DATE
L.KIERNAN	L.KIERNAN	S.ODONOVAN	T.MALONE	D.WALSH	22.11.12

Client ref. No. of sheets Size Scale

1 A3 As Shown

Drawing number: **PE610-D003-003-011-000** Sheet Rev